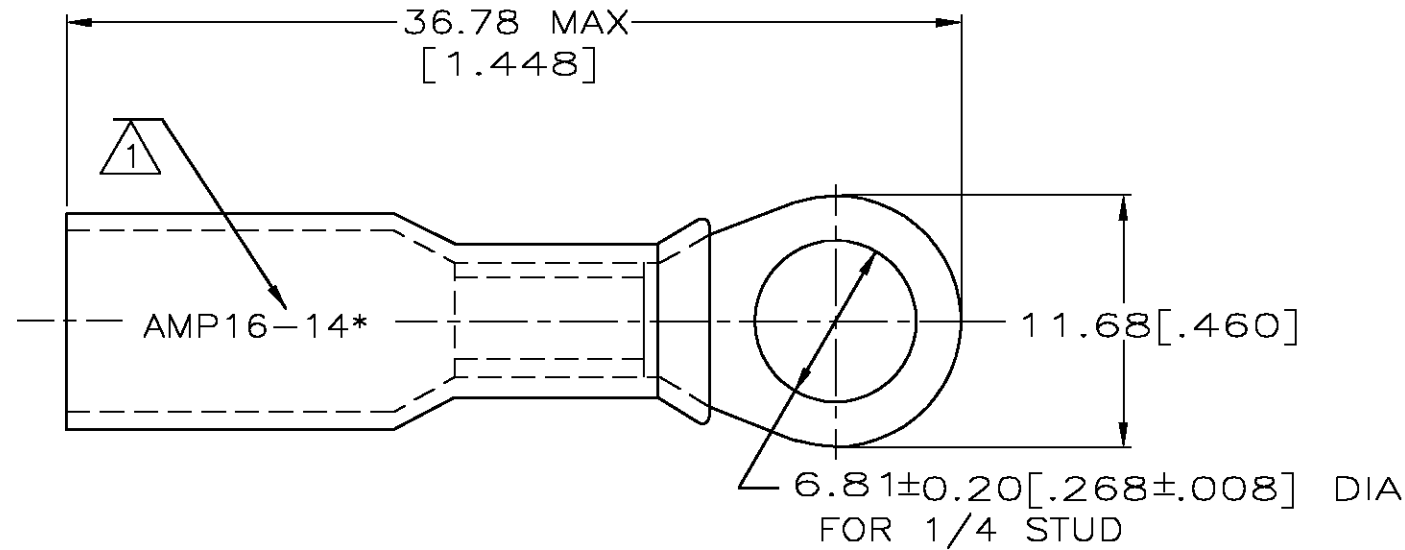


THIS DRAWING IS UNPUBLISHED. RELEASED FOR PUBLICATION ,19
 © COPYRIGHT 19 BY AMP INCORPORATED. ALL INTERNATIONAL RIGHTS RESERVED.

LOC	DIST	P	F	REVISIONS			DATE	APPD
G	14			ZONE	LTR	DESCRIPTION	06JAN03	JR TM
					B	REV PER 0G3A-0001-03		

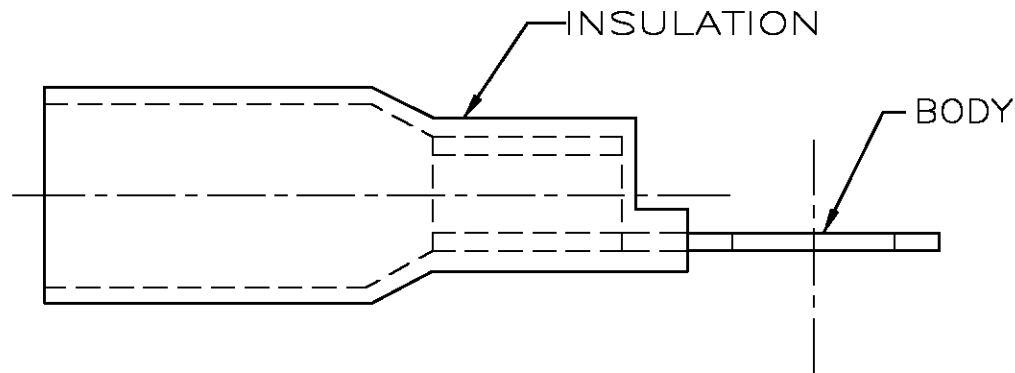
AMP WIRE RANGE	Listed	Certified
16-14 AWG STRANDED	16-14 AWG STRANDED	16-14 AWG STRANDED

METRIC
 DIMENSIONS LISTED IN mm [INCHES]



NOTES:

- 1. STAMP AMP 16-14* APPROX AS SHOWN
- 2. WIRE INSULATION DIA 4.83mm [.190] MAX
- 3. TONGUE MATERIAL THK 0.81±0.05mm [.032±.002]



**AMP INCORPORATED
 CUSTOMER SERVICE SYSTEMS**

FOR ADDITIONAL PRODUCT INFORMATION OR COPIES OF DRAWINGS AND TECHNICAL DOCUMENTS	PRODUCT INFORMATION CENTER 1-800-522-6752
FOR APPLICATION TOOLING INFORMATION	TOOLING ASSISTANCE CENTER 1-800-722-1111
FOR ORDER ENTRY	1-800-526-5142

MAX RECOMMENDED OPERATING
TEMPERATURE:

125° C MAX

VOLTAGE RATING:
600V MAX (BUILDING WIRING)
1000V MAX (FIXTURES & SIGNS)

CIRCULAR MIL AREA:
1.04-2.62mm² [2050-5180]
STRANDED

THIS DRAWING IS A CONTROLLED DOCUMENT FOR
AMP INCORPORATED. IT IS SUBJECT TO CHANGE
AND THE CONTROLLING ENGINEERING ORGANIZATION
SHOULD BE CONTACTED FOR THE LATEST REVISION.

DO NOT SCALE PRINT.
UNLESS SPECIFIED
DIMENSIONS IN mm [INCHES]
TOLERANCES ON:
2 PLC DEC ± 0.20[.008]
3 PLC DEC ± -
ANGLES ± -

MATERIAL
BODY: ETP COPPER
INSULATION: POLYOLEFIN
COLOR: BLUE

FINISH
EDP TIN PLATED

50	LOOSE PIECE	8-55853-2
1000	LOOSE PIECE	55853-1
QTY	PACKAGE TYPE	PART NO
DR 6/93 S S GOULDEN	AMP AMP Incorporated Harrisburg, PA 17105-3608	
CHK 6/93 R HERSEY	NAME	
APPD 6/93 B BARE	TERMINAL, RING TONGUE, SEALABLE HEAT SHRINKABLE	
APPD 6/93 M ELLIS	SIZE	CAGE CODE
PRODUCT SPEC	B	00779
APPLICATION SPEC	SCALE	DRAWING NO
WEIGHT -	NTS	C-55853
	SHEET	1 OF 1